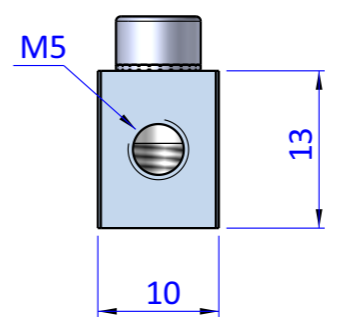
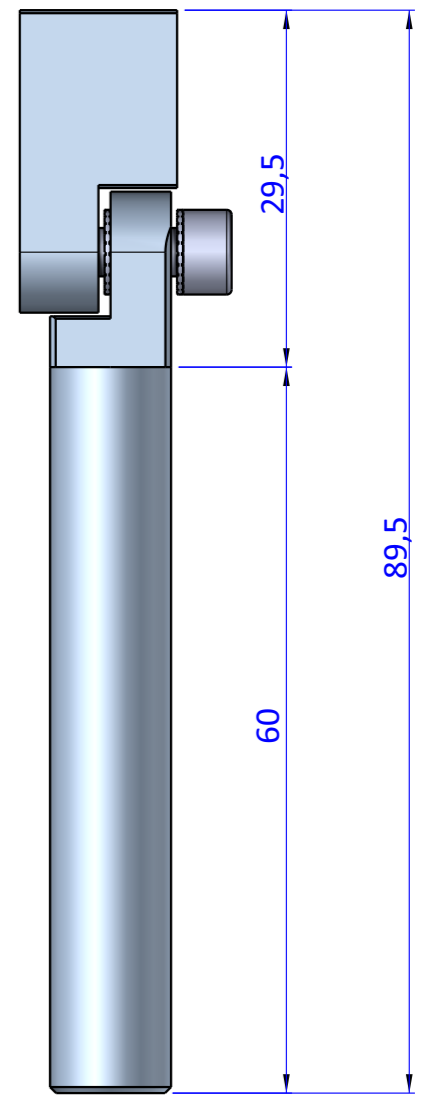
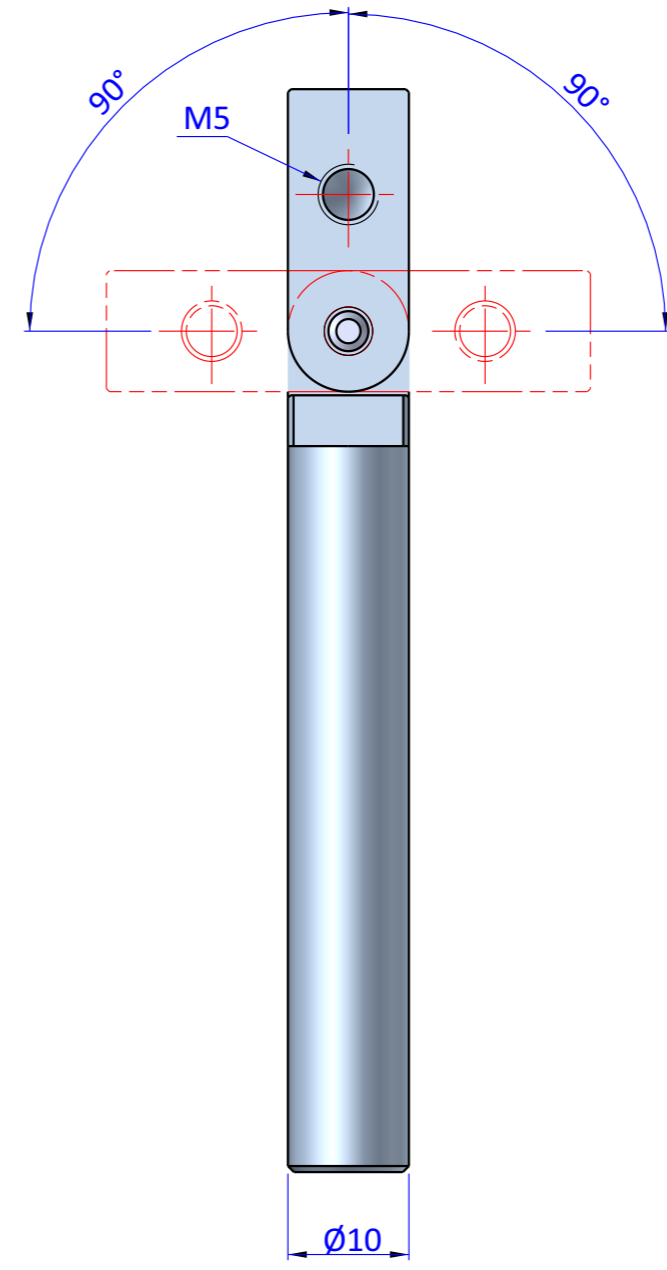
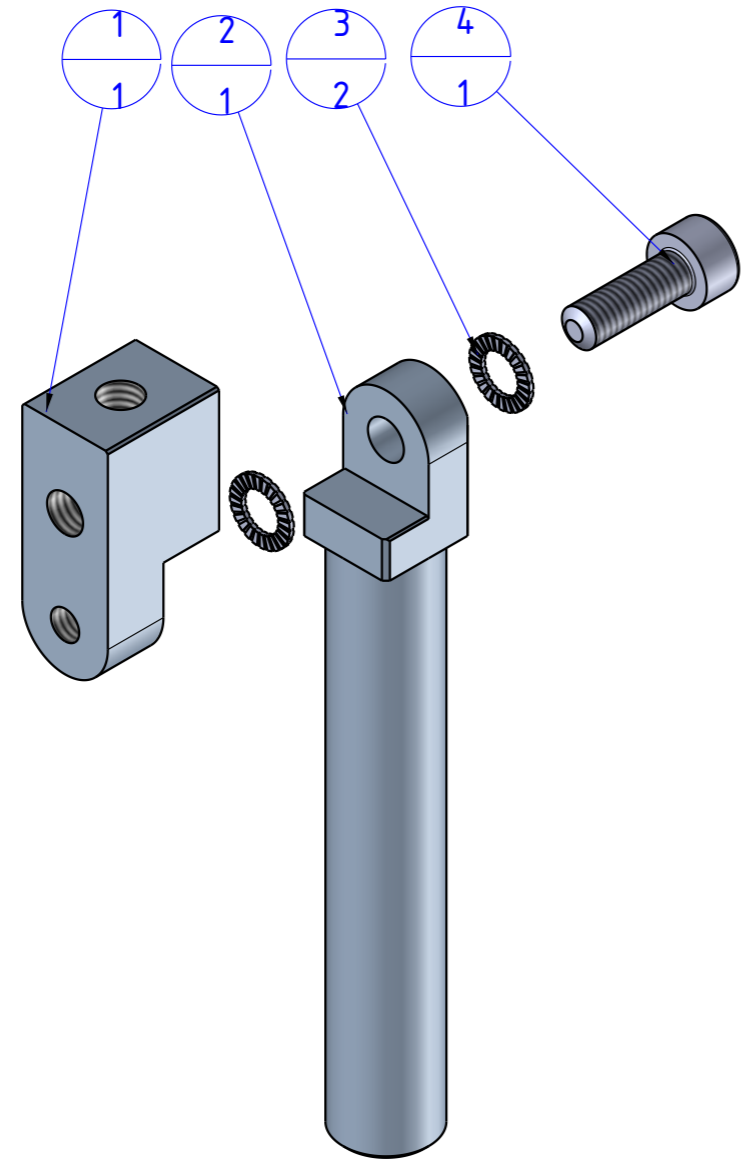

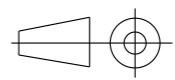


THE PROPERTY OF THE DRAWING IS ESTABLISHED BY LAW. IT IS FORBIDDEN TO PRODUCE OR SHOW IT TO THIRD PART. WITHOUT A WRITTEN AGREEMENT.

Item	Name	Q.ty
1	GGE.M5.M5	1
2	GLA.10.1.60	1
3	R.4.SCH	2
4	V.TCE4x12	1



 FPS FPSERVICES AUTOMATION			DESIGNED FROM FPS Automation	REVIEW A
GENERAL TOLERANCE UNI - ISO 2768 CLASSE f		DESCRIPTION CA.GGE.10.M5.M5		DATE 24/09/2020
		WEIGHT 0,022kg		CODE CA.GGE.10.M5.M5

Format A3
UNI 936-76